



## Design of an ESP32-Based IoT Smart Home Automation Management System

Abubakar Surajo Imam<sup>1</sup>, Abdussalam Garba<sup>2</sup>, AS Isah<sup>3</sup>, IF Chukwu<sup>4</sup>, \*Muhammad Ahmad Baballe<sup>5</sup>, Sagir Shehu Muhammad<sup>6</sup>

<sup>1,2,3,4,5</sup>Department of Mechatronics Engineering, Nigerian Defence Academy (NDA), Kaduna, Nigeria.

<sup>6</sup>Department Of Building Technology, Kano State Polytechnic Nigeria.

DOI: 10.5281/zenodo.13334218

Submission Date: 10 July 2024 | Published Date: 17 Aug. 2024

\*Corresponding author: **Muhammad Ahmad Baballe**

Department of Mechatronics Engineering, Nigerian Defence Academy (NDA), Kaduna, Nigeria.

ORCID.ORG: [0000-0001-9441-7023](https://orcid.org/0000-0001-9441-7023)

### Abstract

In this research, the smart home and management system use D.C. batteries as their source of power. When the battery is fully charged, it can work for 2 to 3 days before it runs low. When you power the system, the title of the project is displayed on the LCD, and the maximum temperature is displayed. It will also show you that nobody is inside the house. You can choose the number of people you want to enter the house. If you choose the maximum to be 12, the door will not open again until someone presses the exit button from the house and exits the house before another person will be able to enter the house. There is a fan in the house that is used to cool the temperature of the house if it is hot, and you can choose when you want the fan to turn on automatically by selecting the maximum temperature. If you choose the maximum temperature to be 30 °C, the fan will not operate until that temperature is reached. And if everyone leaves the house, both the fan and light will automatically switch off since no one is inside the house. There is a light in front of the house for security reasons. If it is dark at night, it will automatically turn on. This light is controlled by the second light-dependent resistor outside the house. If the LDR senses the presence of light, the bulb outside the house will switch off during the day, and if it senses the presence of darkness, that is, at night, it will turn on itself for security purposes. The first LDR is inside the house. If any person enters the house, it will turn on the light in the house. The light will not go off until everyone leaves the house. There is a smoke detector sensor to sense the presence of fire in the house; if there is a fire outbreak, the GSM Module and ESP32 that are used in the research will help send a message to the houseowner. These messages will both be sent as SMS and through a smart phone using a Wi-Fi connection. Most of the research done nowadays doesn't have both an IoT connection and a GSM module. Also, a motion detection sensor is used to detect an intrusion. If an intruder tries to enter the house or approach the house by the time everyone is asleep, it will send an SMS to the houseowner that they are motion-detected.

**Keywords:** LDRs, LCD, Smart House, Infrared sensor, Arduino Microcontroller, Motor, Lights.

## I. INTRODUCTION

The idea of the Internet of Things (IOT) is that every device has an IP address, which anyone may use to identify that item on the internet. Unique identifiers (UIDs) and network data transmission capabilities are offered to mechanical and digital machines, eliminating the need for human-to-human or human-to-computer interaction. It was essentially founded as the "Internet of Computers." Studies have predicted that the number of "things" or gadgets connected to the Internet will increase dramatically. The "Internet of Things" (IoT) is the name of the resulting network. The recent developments in technology that permit the use of wireless controlling environments like Bluetooth and Wi-Fi have enabled different devices to have the capability of connecting with each other. Using a Wi-Fi shield to act as a micro-web server for the Arduino eliminates the need for wired connections between the Arduino board and computer, which reduces cost and enables it to work as a standalone device. The Wi-Fi shield needs a connection to the internet from a wireless router or

wireless hotspot, and this would act as the gateway for the Arduino to communicate with the internet. With this in mind, an internet-based home automation system for remote control and observing the status of home appliances is designed. Due to the advancement of wireless technology, several different types of connections have been introduced, such as GSM, WIFI, and BT. Each of the connections has its own unique specifications and applications. Among the four popular wireless connections that are often implemented in HAS projects, Wi-Fi is being chosen for its suitable capability. The capabilities of Wi-Fi are more than enough to be implemented in the design. Also, most current laptops, notebooks, and smartphones come with built-in Wi-Fi adapters. It will indirectly reduce the cost of this system. The concept of “home automation” has been in existence for several years. “Smart Home” and “Intelligent Home” are terms that have been used to introduce the concept of networking appliances within the house. Home automation systems (HASs) include centralized control and distance status monitoring of lighting, security systems, and other appliances and systems within a house. HASs enables energy efficiency, improves security systems, and certainly increases the comfort and ease of users. In the present emerging market, HASs is gaining popularity and has attracted the interests of many users. Hass comes with its own challenges. Mainly, in the present day, end users, especially the elderly and disabled, even though they have huge benefits, aren't seen to accept the system due to the complexity and cost factors.

## II. LITERATURE REVIEW

Satyendra et al. (2020) developed a smart energy-efficient home automation system using IOT. It uses IOT to convert home appliances into smart and intelligent devices with the help of design control. An energy-efficient system is designed that accesses the smart home remotely using IOT connectivity. The proposed system mainly requires Node MCU as the microcontroller unit, IFTTT to interpret voice commands, Adafruit, a library that supports MQTT, to act as an MQTT broker, and Arduino IDE to code the microcontroller. This multimodal system uses Google Assistant along with a web-based application to control the smart home. The smart home is implemented with a main controller unit that is connected to a 24-hour Wi-Fi network. To ensure that the Wi-Fi connection does not turn off, the main controller is programmed to establish an automatic connection with the available network and connected to the auto-power backup.

Tui-Yi et al. (2019) proposed an energy management algorithm for a home sensor network for a home automation system. Their work proposes an optimization of home power consumption based on PLC (Power Line Communication) for easy access to home energy consumption. This also proposes a Zigbee and PLC-based renewable energy gateway to monitor the energy generation of renewable energies. The ACS and DDEM algorithms are proposed for the design of an intelligent distribution of power management systems to ensure the ongoing power supply of home networks. To provide efficient power management, the power supply models of the home sensor network are classified into four groups: main supply only, main supply and backup battery, rechargeable battery power, and non-rechargeable battery power. Devices with particular features are assigned to these groups. It targets establishing a real-time processing scheme to address variable sensor network topologies.

Tushar Churasia and Prashant Kumar Jain. (2019) developed a model to reduce the computation overhead in existing smart home solutions that uses various encryption technologies like AES, ECHD, hybrid, etc. These solutions use an intermediate gateway for connecting various sensor devices. The proposed model provides a method for automation with sensor-based learning. The system uses a temperature sensor for development, but other sensors can also be used as per requirement. These smart home devices with sensors can configure themselves autonomously and operate without human intervention. This work minimizes encryption and decryption and focuses on authentication and automation of smart home devices with learning. The system bypasses the local gateway mentioned in the existing system to provide better security for smart home devices and sensor data and save computation overhead. The real-time broker cloud is directly connected to Smart Home and manages all incoming and outgoing requests between users and devices. The main purpose of using the real-time broker cloud is to save time on cryptographic operations.

Suraj et al. (2020) designed a visual machine intelligence system for home automation. The proposed method of sensing the state of appliances results in a novel home automation system. The accessibility of the suite of devices in the home over a remote network is facilitated by the IP-addressing methods in the IOT. This project uses two boards, viz., the Raspberry Pi and the Intel Galileo Gen 2. The communication between the user devices, the Raspberry Pi, and the Intel Galileo boards happens over a wireless network. The UDP protocol is deployed to facilitate the wireless communication of the nodes present in the home automation network. A Pi Cam and a USB Logitech camera attached to the rotating shaft of two different servo motors capture snapshots that are passed as inputs to the machine learning-based models trained using dlib-C++ to detect the state of the operation of the appliances. The proposed method uses visual modality to automate the appliances, as privacy concerns may emerge while using the images from some specific places. As a counter to this issue, an SPDT switch is added to the Raspberry Pi, which, when turned off, ensures that even if the images are taken from the webcams, they are just passed as inputs to the machine learning models and are not displayed on the website when the users access the website on the server address obtained from the Raspberry Pi.

Paul et al. (2021) developed a voice-controlled home automation system using natural language processing and the Internet of Things. A fully functional voice-based home automation system that uses the Internet of Things, artificial intelligence, and natural language processing (NLP) to provide a cost-effective, efficient way to work together with home appliances using various technologies such as GSM, NFC, etc. was designed. It implements a seamless integration of all the appliances into a central console, i.e., the mobile device. The prototype uses an Arduino MK1000, known as the Genuino MK1000. The NLP in this project gives the user the freedom to interact with the home appliances with his or her own voice and normal language rather than complicated computer commands. The appliances are connected to the mobile device through an Arduino board that establishes the concept of the Internet of Things. The Arduino boards are interfaced with the appliances and programmed in such a way that they respond to mobile inputs.

### III. MATERIAL AND METHODS

Table I: Below are the materials used in this research

S/N	Names of components	Number used
1	LDRs	2
2	Lights	2
3	Liquid crystal display	1
4	Arduino Uno	1
5	Buzzer	1
6	IR Sensor	1
7	Switch Button	1
8	Light Emitting Diode	1
9	Battery	3
10	Connections	39
11	Fan	1
12	Smoke Detector	1
13	ESP32	1
14	Motion Sensor	1
15	DC Motor	1
16	Gas Sensor	1

#### 3.1. DESIGN OF POWER SUPPLY UNIT

A DC source is necessary for the majority of electronic circuits and devices to function. The most affordable and practical power source is an AC supply. Converting this alternating voltage, which is often 240 volts, to DC voltage, which is typically less in value, is helpful. An AC to DC converter, a charger battery, and a regulator circuit enable this process of converting AC voltage to DC. The total maximum current rating of the parts in our circuit dictates which transformer we should use.

##### 3.1.1. POWER SUPPLY ENERGY SYSTEM

Charging Regulator: 2-amps, low voltage cut-off, AC to DC charge an adaptor was used to draw out or squeeze more charge out of the adaptor and protect the system from over or under voltage. The diagram below shows the overall diagram of the power supply unit.

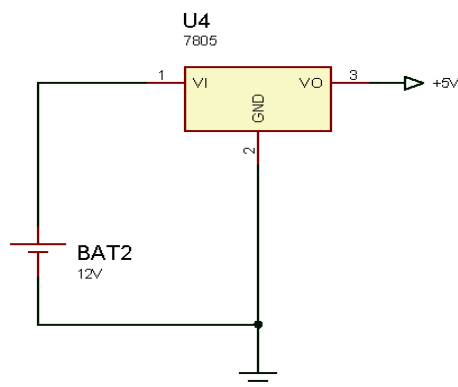


Figure 3.1: Power supply energy unit

### 3.2. FLAME SENSOR

A flame sensor is a device that can detect the presence of fire or other light sources within a specific wavelength range, typically from 760 nm to 1100 nm.

#### 3.2.1. FIRE DETECTION SYSTEM USING FLAME SENSOR & ARDUINO

Now let us interface the flame sensor with the ESP32 board and make our own fire detection system.

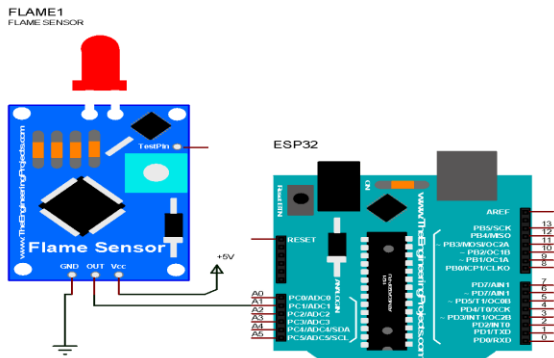


Figure 3.2: Connect the flame sensor’s VCC to Arduino’s 5V and GND to Arduino’s GND, and its digital output pin to Arduino’s pin 4.

### 3.3. MQ3 GAS SENSOR

The most popular analog gas sensor used is the MQ3 gas sensor. The MQ3 smoke sensor detects the presence of various types of smoke, such as carbon. The sensor interacts with smoke to measure its concentration, ranging from 100 ppm to 3,000 ppm.

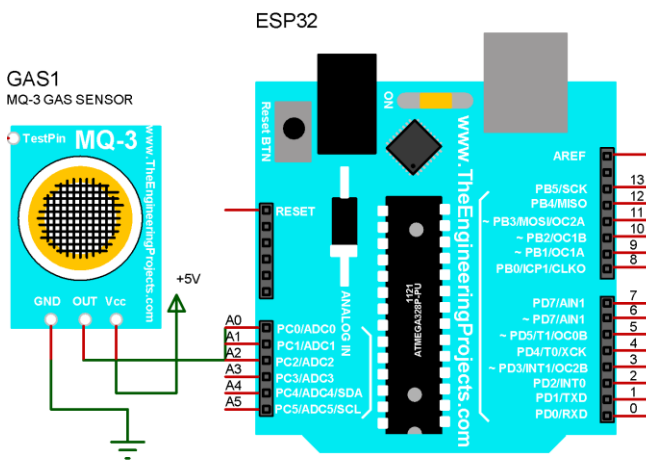


Figure 3.3: Interfacing the Arduino with the MQ3 Gas Sensor

When a gas interacts with this sensor, it is first ionized into its constituents and is then absorbed by the sensing element. This absorption creates a potential difference in the element, which is conveyed to the controller unit through an output analog pin in the form of current. Thus, we are measuring the analog current as an output that increases with increasing gas level.

The sensor works on 3V–5V and has both analog and digital outputs. It has 4 pins: VCC, GND, D0, and A0.

### 3.4. MOTION SENSING UNIT

This unit senses the presence of motion using a passive infrared sensor interfaced with the ESP32. The sensor works between 3V and 5V. So, connect its VCC pin to 5V/3.3V of the ESP32. Connect the GND to the GND and its output pin to any of the digital pins of the Arduino. Digital pin 2 of the Arduino is used to connect the sensor.

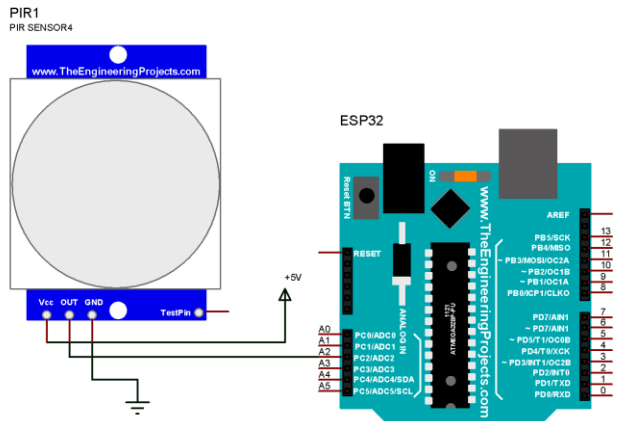


Figure 3.4: Interfacing the Arduino with a motion sensor detector

### 3.5. DESIGN OF ESP32 MICROCONTROLLER

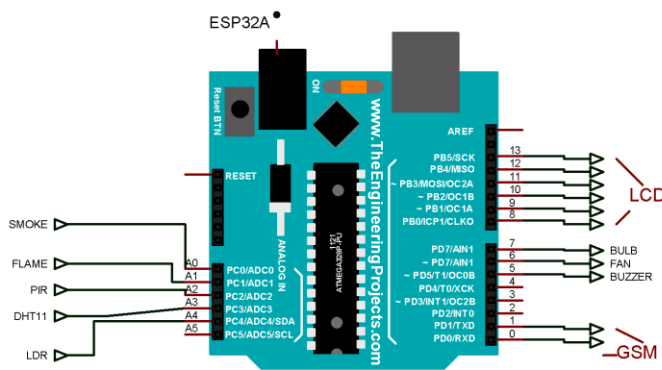


Figure 3.5: Interfacing the whole system with the Arduino Uno

### 3.6. INTERFACING LCD TO ESP32

Depending on how many lines are used for connecting an LCD to the microcontroller, there are 8-bit and 4-bit LCD modes. The appropriate mode is selected at the beginning of the operation in the process called "initialization." The main purpose of the 4-bit LCD mode is to save valuable I/O pins on the microcontroller. Only four higher bits (D4–D7) are used for communication, while others may be left unconnected. Each piece of data is sent to the LCD in two steps—four higher bits are sent first (normally through the lines D4–D7). Initialization enables the LCD to link and interpret received bits correctly.

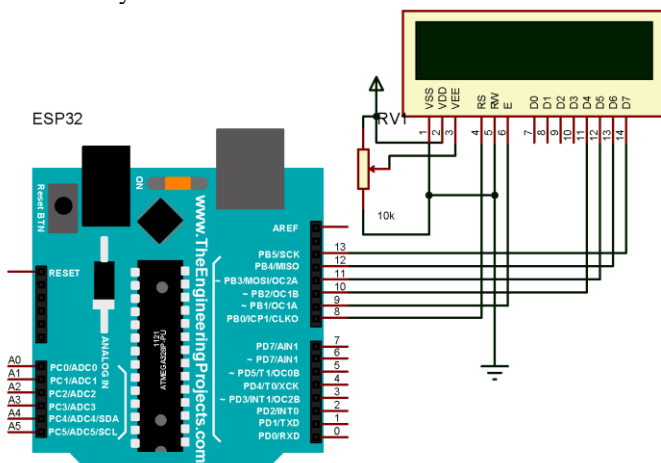


Figure 3.6: LCD interfaced to ESP32

### 3.7. DHT11 TEMPERATURE/HUMIDTY SENSOR UNIT

The DHT11 acts as a temperature and humidity sensor. It gives an output of 10 mV/C and is capable of producing a voltage from 10 mV to 1.5 mV that corresponds to temperatures from 0 °C to 50 °C and 0-80%.

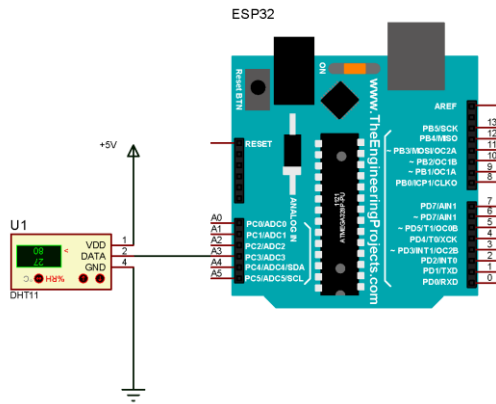


Fig. 3.7: Connection of DHT11 to microcontroller

### 3.8. LDR DESIGN

The internal ADC of the microcontroller is used to convert the analog output of the sensor into its equivalent digital value. The internal ADC of the microcontroller has eight channels of analog input and gives a 10-bit digital output. In this research, the ANO is used for monitoring analog voltage from the LM35, ranging from 0 to 1501 = 1500 mV. The internal ADC of the microcontroller is used to convert the analog output of the sensor into its equivalent digital value. The internal ADC of the microcontroller has eight channels of analog input and gives a 10-bit digital output. In this research, the ANO is used for monitoring analog voltage from the LDR, ranging from 0 to 1501 = 1500 mV. The internal ADC of the microcontroller is used to convert the analog output of the sensor into its equivalent digital value. The internal ADC of the microcontroller has eight channels of analog input and gives a 10-bit digital output. In this research, the ANO is used for monitoring analog voltage from the LDR, ranging from 0 to 1501 = 1500 mV.

The resolution of the ADC can be calculated as follows

$$\begin{aligned} \text{Resolution} &= \frac{V_{ref}}{(1024-1)} \\ &= \frac{5}{1023} \\ &= 4.88 \text{ mV} \end{aligned}$$

It means that for every 4.88 mV change in the analog input, the ADC input voltage will change. The analog output of the sensor at its pin 2 is connected to Port A at A4 for conversion into a digital equivalent value.

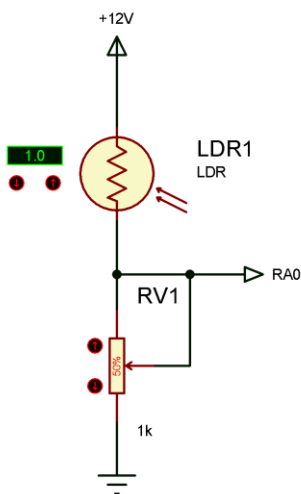


Figure 3.8: Infrared Sensing Unit

### 3.9. DC FAN/LIGHT CONTROL UNIT

The unit serves to control the DC fan and light system using a BD139 transistor. The circuit of this unit is shown in the figure below.

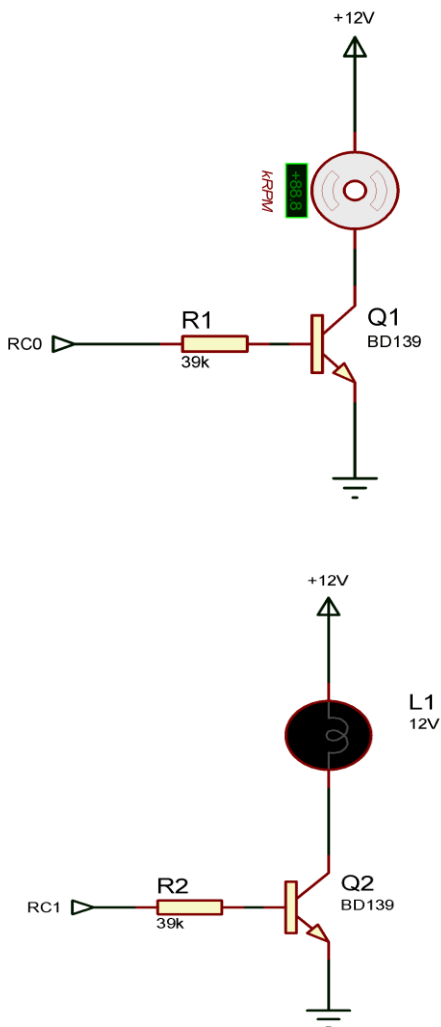


Figure: 3.9: DC Fan transistor

$$\beta = I_C / I_B$$

$$I_B = I_C / \beta$$

$$I_C = 10\text{mA}, \beta = 90$$

$$I_B R_B = V_{CC} - V_{BE} - V_{CE}$$

At saturation point

$$V_{CE} = 0$$

$$V_{BE} = 0$$

$$R_B = \frac{V_{CC} - V_{BE}}{I_B}$$

$$I_B = \frac{10 \times 10^{-3}}{90} = 111.1\text{A}$$

$$R_B = \frac{5 - 0.7}{0.000111} = 38703.8\Omega$$

$R_B = 39\text{K}\Omega$  was selected due to availability in the market.

### 3.10. DOOR CONTROL UNIT

The arrangement of the circuit as below is the actuator part, which uses the BC547 transistors to enable the actual door control to open and close due to the movement of the motor clockwise and anticlockwise when a visitor arrives.

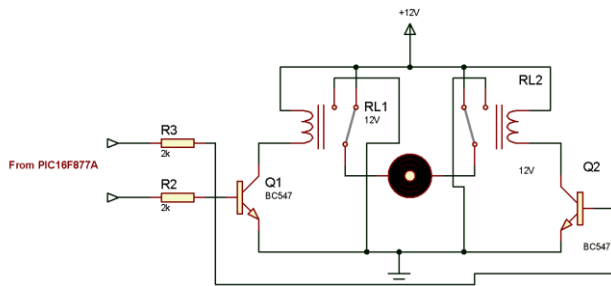


Figure 3.10: Door control circuit

### 3.11. ALARMING UNIT

This unit is employed for alarming. When the limit is exceeded, it will sound an alarm. As shown in the figure below.

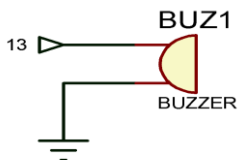


Figure 3.11. Alarming unit

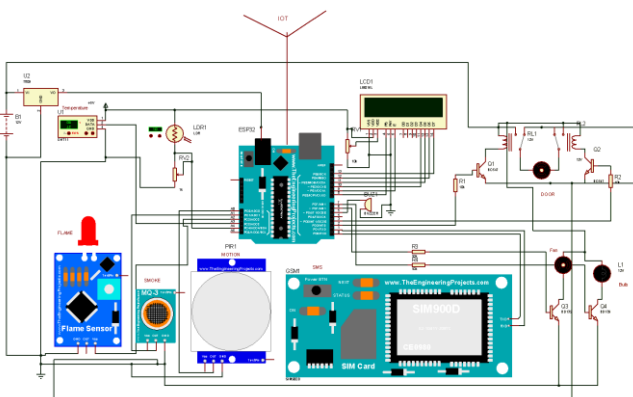


Figure: 3.12: Complete interfacing of the whole system

## IV. CONCLUSION

The core tenet of a smart home is to improve comfort, boost security, and consume less energy for its occupants. This study looked at how to create a framework for inexpensive smart home automation. The purpose of a smart gate door controller is to regulate who has entrance to the residence and to offer security.

## REFERENCES

1. Abdulkadir Z., I. Amina, M. Abdulmuhaimin, M. A. Baballe, and A. S Sadiku, "Contribution of the IoT to the Security System", Global Journal of Research in Engineering & Computer Sciences, vol. 3, no. 4, pp. 1–4, 2023, <https://doi.org/10.5281/zenodo.8161017>.
2. Al-Ali A. R. and M. AL-Rousan, Java-based Home Automation System, IEEE Transactions on Consumer Electronics, Vol. 50, No. 2, May 2004,
3. Amul Jadhav, S. Anand, Nilesh Dhangare, K.S. Wagh "Universal Mobile Application Development (UMAD) On Home Automation" Marathwada Mitra Mandal's Institute of Technology, University of Pune, India Network and Complex Systems ISSN 2224-610X (Paper) ISSN 2225-0603 (Online) Vol 2, No.2, 2012

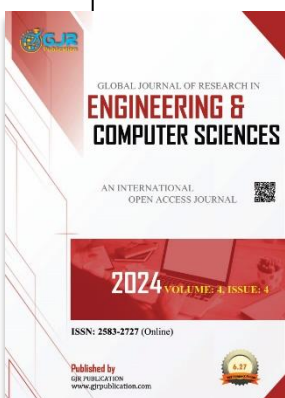


4. Anjali Sinha, Arpita Singh, Deepa Singh, Parul Singh, Anil Maurya and Mahesh Kumar Singh, Automatic Room Light Controller with Visitor Counter, International Journal on Emerging Technologies (Special Issue NCETST-2017) 8(1): 172-175(2017).
5. Deepa S. Rajapandian.S., (2011), "Simulation of Dynamic Voltage Restorer Using Embedded Z Source Inverter", Ciit International Journal of Automation and Autonomous System, Vol.3, No.4, Pp.178-182.
6. Lavanya Dhanesh, Dr.P.Murugesan (2015) , "Analysing The Wcet By Implementing Cyclic Priority Pre-Emptive Task Scheduling Algorithm" In The International Journal Named "Far East Journal Of Mathematical Sciences" Issn 0972-0871 Volume 97,Number 6, 2015 Pp. 667-688 .
7. Lavanya Dhanesh, Dr.P.Murugesan (2018), "A Novel Approach In Scheduling Of The Real- Time Tasks In Heterogeneous Multicore Processor With Fuzzy Logic" In The International Journal Named "International Journal Of Power Electronics And Drive System (Ijped)" Issn: 2088-8694, Vol. 9, No. 1, Pp. 80-88.
8. Lertlakkhanakul J., J.W.Choi and M. Y.Kim, Building Data Model and Simulation Platform for Spatial Interaction Management in Smart Home, Automation in Construction, Vol. 17, Issue 8, November 2008, pp. 948-957
9. Mahmud Hossain Jewel, JahidHasan, Nazmul Islam, Automatic Room Light Control Using Bidirectional Visitor Counter and Gas Detection, Faculty of Sciences and Engineering, East West University.
10. MangeshNikose, KrutikaGaikwad, PriyankaGamne, Aaishwarya Bodke, A Survey on Bidirectional Visitor Counter with Automaticlight and Fan Control for Room, International Journal of Advanced Research in Electrical, Electronics and Instrumentation Engineering.
11. Mon, Y.-J. C.-M. Lin and I. J. Rudas, Wireless Sensor Network (WSN)Control for Indoor Temperature Monitoring, Acta Polytechnica Hungarica,Vol. 9, No. 6, 2012, pp. 17-28
12. Muhammad Umar Farooq, Aamna Shakoor, Abu Bakar Siddique, ARM based Bidirectional Visitor Counter and Automatic Room Light Controller using PIR sensors, Advances in Science, Technology and Engineering Systems Journal Vol. 1, No. 5, 10-15 (2016).
13. Muhammad A. B, Naima H. A, Abdulkadir S.B, Abdussalam G., & Danladi K.G. (2024). The Internet of Things (IoT): Features, Application Grounds, Technologies and Protocols. In Global Journal of Research in Engineering & Computer Sciences (Vol. 4, Number 4, pp. 70–76). <https://doi.org/10.5281/zenodo.13154453>.
14. Munirah Abdullahi Said, Musa Dan-azumi Mohammed, Muhammad Baballe Ahmad, "Challenges with Internet of Things (IoT) Security", Global Journal of Research in Engineering & Computer Sciences ISSN: 2583-2727 (Online) Volume 04 | Issue 02 | March-April | 2024 Journal homepage: <https://gjrppublication.com/gjrecs/>
15. P.S Ramaprabha, A. Mohamed Inam Ul-Hasan, M, Manuneethy Cholan, D. Senthil Kumar, Vg. Samraj, "Smart Drinking Water Dispenser Usingdual Axis Solar Tracker" Vol. 6 Issue-5 2020 Ijarie-Issn(O)-2395-4396 Pp 226-241
16. Paul Jasmin Rani, Jason Bakthakumar, Praveen Kumaar.B, Praveen Kumaar.U, Santhosh Kumar;Intelligent, Home Systems, IEEE Communications Magazine,Vol. 31, Issue 10, October 1993, pp. 52-61
17. R. J. C. Nunes and J. C. M. Delgado, An Internet Application for Home Automation, 10th Mediterranean Eleetrotechnical Conference, MeleCon 2000,Vol. I. pp. 298-301
18. R.Piyare, M.Tazi "Bluetooth Based Home Automation System Using Cell Phone", 2011 IEEE 15th International Symposium on Consumer Electronics.
19. Rana, Jitendra Rajendra and Pawar, Sunil N., Zigbee Based Home Automation (April 10, 2010).Available at SSRN: <http://ssrn.com/abstract=1587245> or <http://dx.doi.org/10.2139/ssrn.1587245>
20. S.Sankar,M.Padmarasan,C.T.Manikandan,"Analysis Of Low Noise SMS System", International Journal Of Electrical Engineering & Technology, Volume 3,Issue 3, Pp 211-221,Oct-Dec 2012.
21. Satyendra K. Vishwakarma, Prashant Upadhyaya, Babita Kumari, Arun Kumar Mishra. (2015), "Power Saving Of The Cpu By Improving The Performance Of The Real - Time System Kernal Using The Pscpts Algorithm" In The International Journal Named "International Journal Of Applied Engineering Research"Issn 0973-4562 Volume 10, Number 5 (2015) Pp. 12465-12473.
22. Shardha Somani, Parikshit Solunke, Shaunak Oke, Parth Medhi,,(2020), "Relay Coordination Using Etap", International Journal Of Advance Research And Innovative Ideas In Education,Vol.6,No.4, Pp. 1180-1188. 2020.
23. Sriskanthan N. and Tan Karand. "Bluetooth Based Home Automation System". Journal of Microprocessors and Microsystems, Vol. 26, pp.281-289, 2002.
24. Stefanov D. H and Z. Bien, The Smart House for Older Persons and Persons with Physical Disabilities: Structure, Technology Arrangements, and Perspectives, IEEE Trans- actions On Neural Systems And Rehabilitation Engineering, Vol. 12, No. 2, June 2004, pp. 228-250
25. Subhankar Chattoraj, AdityaChakraborty, Bidirectional Visitor Counter with Automatic Room Light Controller and Arduino UNO as the master controller, International Journal of Scientific and Research Publications, Volume 6, Issue 7, July 2016.

26. Suraj, Ish Kool, Dharmendra Kumar, Shovan Barman. "IoT Based Microgrid Automation For Optimizing Energy Usage And Controllability", International Research Journal Of Engineering And Technology (Ijret), Volume: 07 Issue: 08, Aug 2020, EISSN: 2395-0056.
27. Tui-Yi Yang, Chu-Sing Yang, Tien-Wen Sung; (2019), "Optimal Fuzzy Controller For Power Quality Improvement Of Dynamic Voltage Restorer Using Bacterial Foraging Algorithm", "International Journal Of Advanced Science And Technology" Vol. 28, No. 19, (2019), Pp. 10-15
28. Tushar Churasia and Prashant Kumar Jain; (2019) "Solar Panel Monitoring System Using Smart Phone Technology" In The International Journal Of Advanced Research In Electrical, Electronics Electronics And Instrumentation Engineering, Issn 2278-8875, Vol. 8, Issue 3, March 2019
29. Vikram.N, Harish.K.S, Nihaal.M.S, Raksha Umesh, Shetty Aashik Ashok Kumar; (2020), "Enhanced And Energy-Efficient Program Scheduling For Heterogeneous Multi-Core Processors System", Lecture Notes In Electrical Engineering, 2020, 665, Pp. 737-747 (Scopus)
30. Yavuz, E. B. Hasan, I. Serkan and K. Duygu. "Safe and Secure PIC Based Remote Control Application for Intelligent Home". International Journal of Computer Science and Network Security, Vol. 7, No. 5, May 2007.
31. Ylmaz, E. N. Education Set Design for Smart Home Applications, Computer Applications in Engineering Education, Vol. 19, Issue 4, December 2006, pp.

#### CITATION

Abubakar S.I., Abdussalam G., AS Isah, IF Chukwu, Muhammad A. B, & Sagir S.M. (2024). Design of an ESP32-Based IoT Smart Home Automation Management System. In Global Journal of Research in Engineering & Computer Sciences (Vol. 4, Number 4, pp. 121–130). <https://doi.org/10.5281/zenodo.13334218>



### Global Journal of Research in Engineering & Computer Sciences

#### Assets of Publishing with Us

- **Immediate, unrestricted online access**
- **Peer Review Process**
- **Author's Retain Copyright**
- **DOI for all articles**